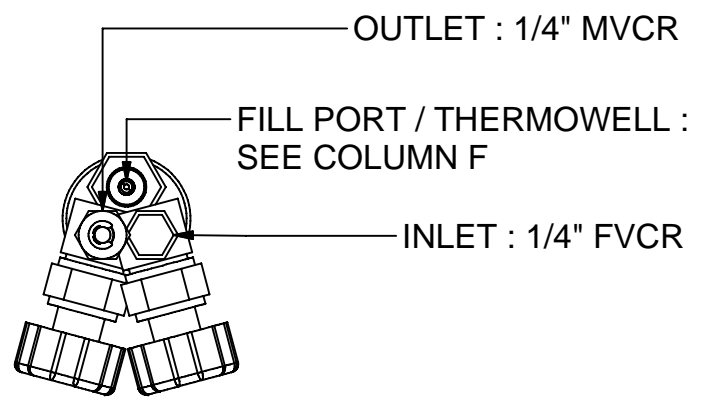


FIGURE 1



VIEW A-A

OUTLET : 1/4" MVCR  
 FILL PORT / THERMOWELL :  
 SEE COLUMN F  
 INLET : 1/4" FVCR

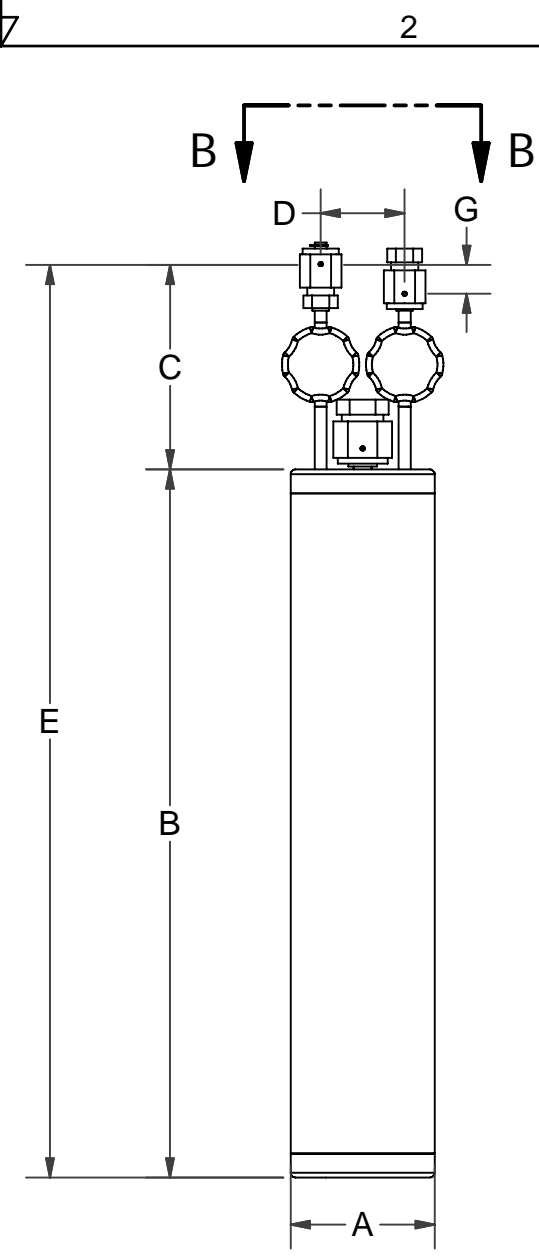
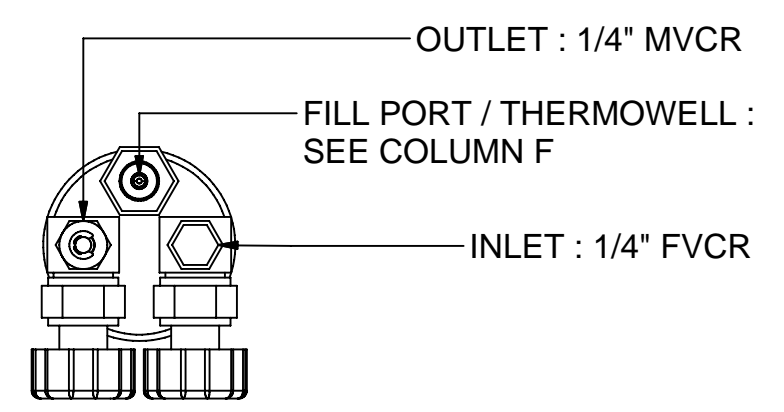


FIGURE 2



VIEW B-B

OUTLET : 1/4" MVCR  
 FILL PORT / THERMOWELL :  
 SEE COLUMN F  
 INLET : 1/4" FVCR

NOTE: VESSEL PRESSURE AND TEMPERATURE RATINGS VARY DEPENDING ON VALVE SELECTION.

Catalog #	Size	Description	Cylinder Vol. (mL)	A (in/mm)	B (in/mm)	C (in/mm)	D (in/mm)	E (in/mm)	F	G (in/mm)	FIGURE
50-01269A-V	150 mL	BUBBLER, VERTICAL, WITH FILL-PORT	150	1.50 / 38.1	6.75 / 171.5	6.70 / 170.1	0.75 / 19.0	13.45 / 341.6	1/4" FVCR	1.63 / 41.4	1
50-01270A-V	300 mL	BUBBLER, VERTICAL, WITH FILL-PORT	300	2.00 / 50.8	7.25 / 184.2	6.70 / 170.1	0.75 / 19.0	13.95 / 354.3	1/2" FVCR	1.63 / 41.4	1
50-01271A-V	500 mL	BUBBLER, VERTICAL, WITH FILL-PORT	500	2.00 / 50.8	11.75 / 298.5	6.70 / 170.1	0.75 / 19.0	18.45 / 468.6	1/2" FVCR	1.63 / 41.4	1
50-01272A-V	600 mL	BUBBLER, VERTICAL, WITH FILL-PORT	600	3.00 / 76.2	6.25 / 158.8	4.26 / 108.2	1.75 / 44.5	10.51 / 267.0	1/2" FVCR	0.60 / 15.3	2
50-01273A-V	1000 mL	BUBBLER, VERTICAL, WITH FILL-PORT	1000	3.00 / 76.2	10.00 / 254.0	4.26 / 108.2	1.75 / 44.5	14.26 / 362.2	1/2" FVCR	0.60 / 15.3	2
50-01274A-V	1500 mL	BUBBLER, VERTICAL, WITH FILL-PORT	1500	3.00 / 76.2	14.75 / 374.7	4.26 / 108.2	1.75 / 44.5	19.01 / 482.9	1/2" FVCR	0.60 / 15.3	2
50-01275A-V	1500 mL	BUBBLER, VERTICAL, WITH FILL-PORT	1500	4.00 / 101.6	8.75 / 222.3	4.26 / 108.2	1.75 / 44.5	13.01 / 330.5	1/2" FVCR	0.60 / 15.3	2
50-01276A-V	2000 mL	BUBBLER, VERTICAL, WITH FILL-PORT	2000	4.00 / 101.6	11.25 / 285.8	4.26 / 108.2	1.75 / 44.5	15.51 / 394.0	1/2" FVCR	0.60 / 15.3	2