

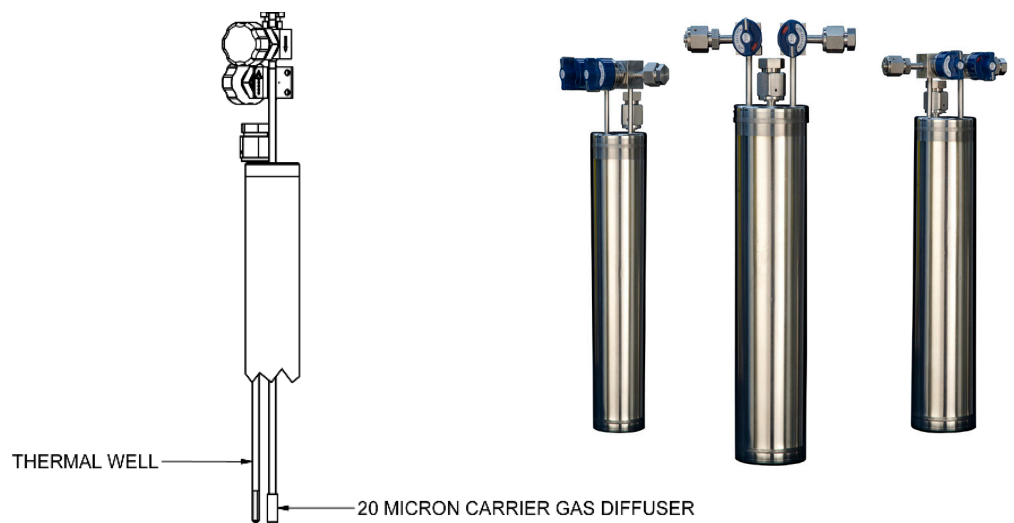
Options:

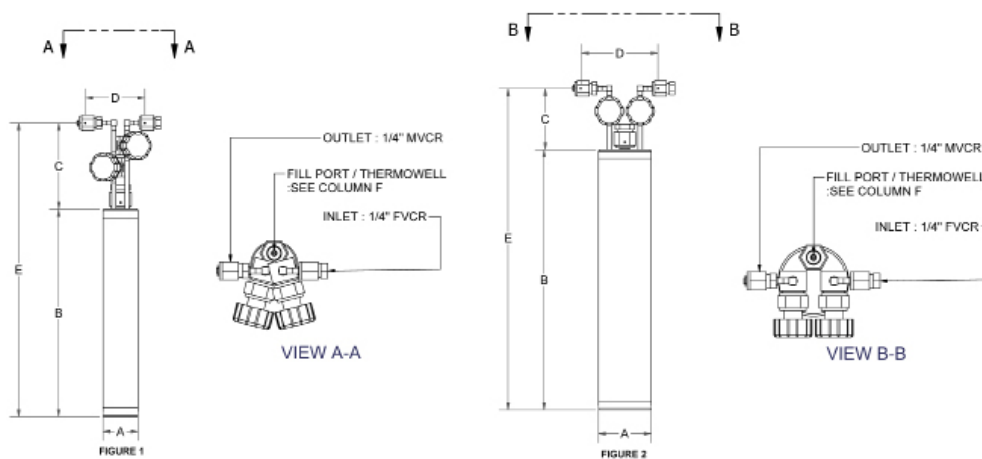
- Horizontal Valve Configuration
- High Pressure Valves
- High Temperature Valves
- Thermal Well (1/4"OD, 0.180"OD)
- Remove Dip Tube and 1/8" Diffuser (20 um diffuser, std.)
- Electro-Polish
- Other Options Available

SDC manufactures stainless steel bubblers designed to deliver ultra high-purity (UHP) precursors to the reaction zone during a fabrication process. Manufactured in a 10/100 clean room ensures product quality and integrity. Each UHP bubbler is pneumatically tested 1.0×10^{-9} ATM*CCS to ensure leak-free service. SDC's standard sizes for horizontal and vertical valve UHP bubblers are listed below.

With our material compability and over 30 years of engineering experience in the nanotech, semiconductor and solar industries, we can accomodate your needs.

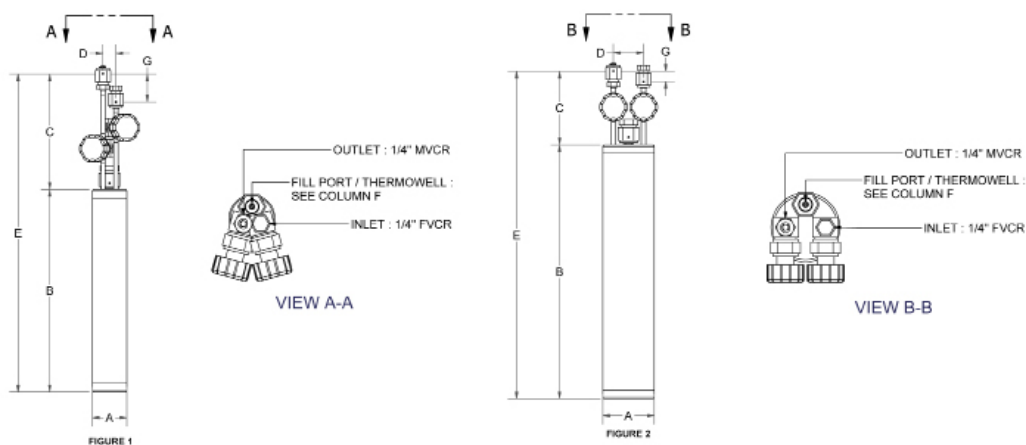
Custom built bubblers to meet your equipment or OEM specifications are also available. Please contact our factory at (845) 246-3631 or info@stainlessdesign.com for more information.





Standard UHP Horizontal Valve Bubbler with Fill-Port:

Size - Cyl. Vol (mL)	Catalog #	A (in/mm)	B (in/mm)	C (in/mm)	D (in/mm)	E (in/mm)	F (in/mm)	Figure
150 mL	50-01269A-H	1.50 / 38.1	6.75 / 171.5	4.89 / 124.2	3.37 / 85.6	11.64 / 295.7	1/4" FVCR	1
300 mL	50-01270A-H	2.00 / 50.8	7.25 / 184.2	4.89 / 124.2	3.37 / 85.6	12.14 / 308.4	1/4" FVCR	1
500 mL	50-01271A-H	2.00 / 50.8	11.75 / 298.5	4.89 / 124.2	3.37 / 85.6	16.64 / 422.7	1/4" FVCR	1
600 mL	50-01272A-H	3.00 / 76.2	6.25 / 158.8	3.47 / 88.1	4.37 / 111.0	9.72 / 246.9	1/4" FVCR	2
1000 mL	50-01273A-H	3.00 / 76.2	10.00 / 254.0	3.47 / 88.1	4.37 / 111.0	13.47 / 342.1	1/4" FVCR	2
1500 mL	50-01274A-H	3.00 / 76.2	14.75 / 374.7	3.47 / 88.1	4.37 / 111.0	18.22 / 462.8	1/4" FVCR	2
1500 mL	50-01275A-H	4.00 / 101.6	8.75 / 222.3	3.47 / 88.1	4.37 / 111.0	12.22 / 310.4	1/4" FVCR	2
2000 mL	50-01276A-H	4.00 / 101.6	11.25 / 285.8	3.47 / 88.1	4.37 / 111.0	14.72 / 373.9	1/4" FVCR	2



Standard UHP Vertical Valve Bubbler with Fill-Port:

Size - Cyl. Vol (mL)	Catalog #	A (in/mm)	B (in/mm)	C (in/mm)	D (in/mm)	E (in/mm)	F (in/mm)	G (in/mm)	Figure
150 mL	50-01269A-V	1.50 / 38.1	6.75 / 171.5	6.70 / 170.1	0.75 / 19.0	13.45 / 341.6	1/4" FVCR	1.63 / 41.4	1
300 mL	50-01270A-V	2.00 / 50.8	7.25 / 184.2	6.70 / 170.1	0.75 / 19.0	13.95 / 354.3	1/4" FVCR	1.63 / 41.4	1
500 mL	50-01271A-V	2.00 / 50.8	11.75 / 298.5	6.70 / 170.1	0.75 / 19.0	18.45 / 468.6	1/4" FVCR	1.63 / 41.4	1
600 mL	50-01272A-V	3.00 / 76.2	6.25 / 158.8	4.26 / 108.2	1.75 / 44.5	10.51 / 267.0	1/4" FVCR	1.63 / 41.4	2
1000 mL	50-01273A-V	3.00 / 76.2	10.00 / 254.0	4.26 / 108.2	1.75 / 44.5	14.26 / 362.2	1/4" FVCR	0.60 / 15.3	2
1500 mL	50-01274A-V	3.00 / 76.2	14.75 / 374.7	4.26 / 108.2	1.75 / 44.5	19.01 / 482.9	1/4" FVCR	0.60 / 15.3	2
1500 mL	50-01275A-V	4.00 / 101.6	8.75 / 222.3	4.26 / 108.2	1.75 / 44.5	13.01 / 330.5	1/4" FVCR	0.60 / 15.3	2
2000 mL	50-01276A-V	4.00 / 101.6	11.25 / 285.8	4.26 / 108.2	1.75 / 44.5	15.51 / 394.0	1/4" FVCR	0.60 / 15.3	2